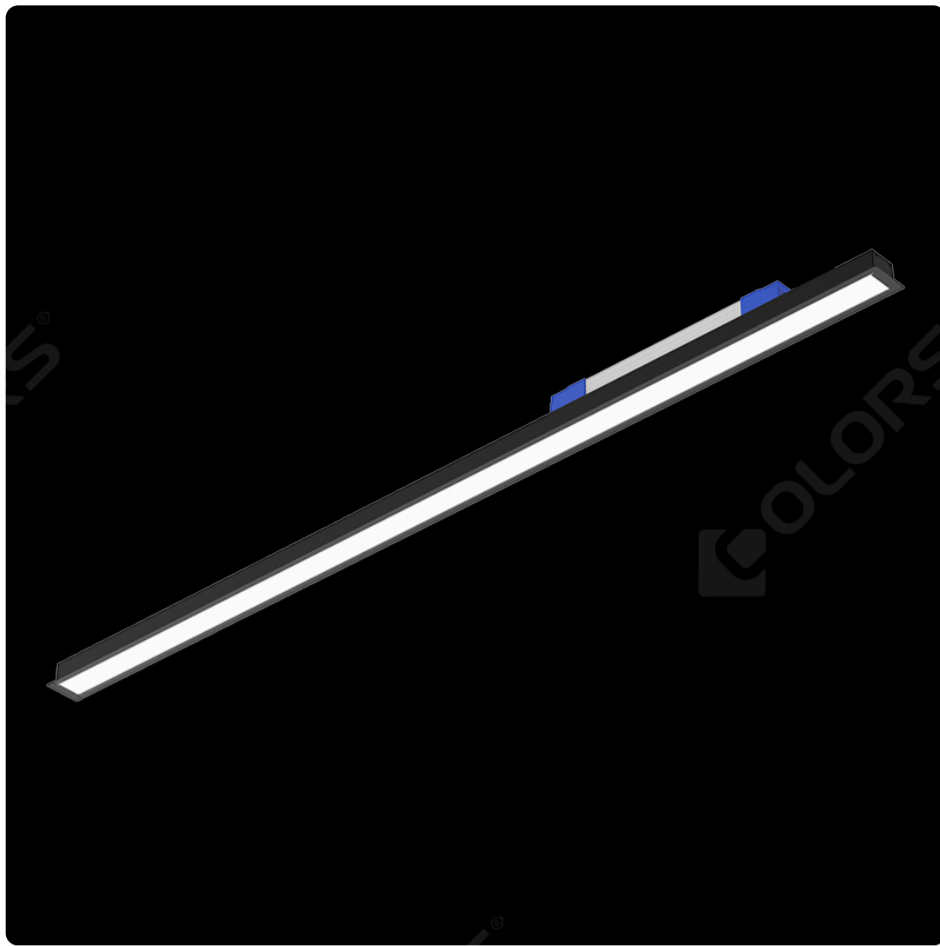


LINE ECO Recessed

# LE35FD





## LE35FD

### Basic Parameters

Material	AL6063-T5,spraying surface
IP Grade	IP20
Warranty	5 years

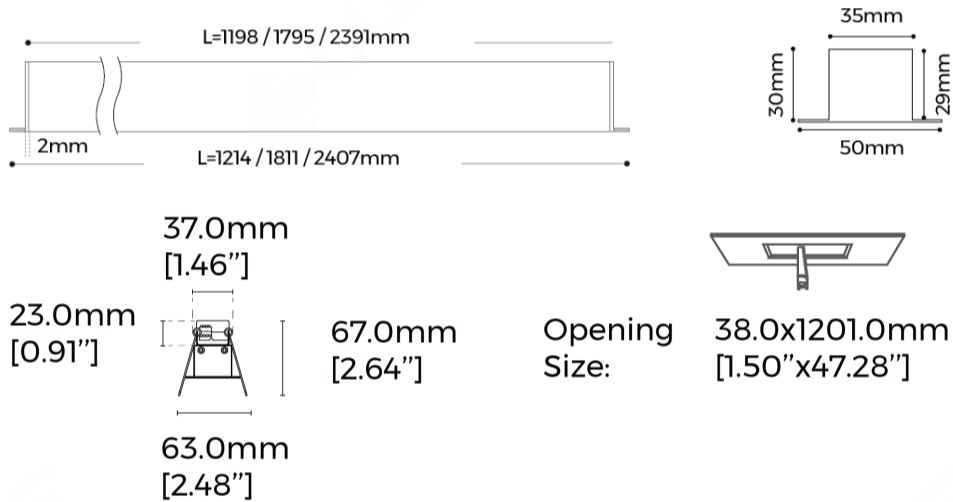
### Electrical Parameters

Input Voltage	AC200-240V
Control	Non-Dimming,1-10V Dimming,DALI Dimming

### Optical Parameters

Version	Regular,High efficiency,Regular-3 CCT Dial Switch,High efficiency-3 CCT Dial Switch
SDCM	<3 Step (ANSI)
Length	1200mm,1800mm,2400mm
CRI	>80,>90
CCT	2700K,3000K,4000K,6500K,3000K-4200K-6500K
Luminous Efficacy	110LM/W(Regular),120LM/W(High efficiency-3CCT Dial switch) 140LM/W(High efficiency),100LM/W(Regular-3CCT Dial switch)

### Dimensions



### Luminaire Parameters

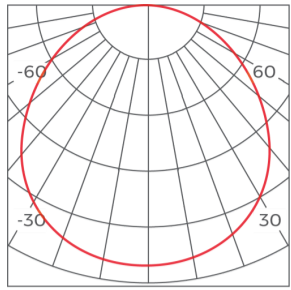
Version	Length	Type Power (W)	PCB Current(A)	CRI	CCT	Lumens(LM) @White, Sliver	Lumens(LM) @Black
Regular-3 CCT Dial Switch	1200mm	29W	0.65	>80	3000K-4200K-6500K	2610/2900/2610	2349/2610/2349
Regular-3 CCT Dial Switch	1800mm	45W	1	>80	3000K-4200K-6500K	4050/4500/4050	3645/4050/3645
Regular-3 CCT Dial Switch	2400mm	58W	1.3	>80	3000K-4200K-6500K	5220/5800/5220	4698/5220/4698
Regular-3 CCT Dial Switch	1200mm	29W	0.65	>90	3000K-4200K-6500K	2244/2494/2244	2020/2244/2020
Regular-3 CCT Dial Switch	1800mm	45W	1	>90	3000K-4200K-6500K	3483/3870/3483	3134/3483/3134
Regular-3 CCT Dial Switch	2400mm	58W	1.3	>90	3000K-4200K-6500K	4489/4988/4489	4040/4489/4040
Regular	1200mm	29W	0.65	>80	4000K	3190	2871
Regular	1800mm	45W	1	>80	4000K	4950	4455
Regular	2400mm	58W	1.3	>80	4000K	6380	5742
Regular	1200mm	29W	0.65	>90	4000K	2743	2469
Regular	1800mm	45W	1	>90	4000K	4257	3831
Regular	2400mm	58W	1.3	>90	4000K	5486	4938
Regular	1200mm	29W	0.65	>80	2700K	2711	2440
Regular	1800mm	45W	1	>80	2700K	4207	3786
Regular	2400mm	58W	1.3	>80	2700K	5423	4880
Regular	1200mm	29W	0.65	>90	2700K	2331	2098
Regular	1800mm	45W	1	>90	2700K	3618	3256

Regular	2400mm	58W	13	>90	2700K	4663	4197
Regular	1200mm	29W	0.65	>80	3000K	2871	2583
Regular	1800mm	45W	1	>80	3000K	4455	4009
Regular	2400mm	58W	13	>80	3000K	5742	5167
Regular	1200mm	29W	0.65	>90	3000K	2469	2222
Regular	1800mm	45W	1	>90	3000K	3831	3448
Regular	2400mm	58W	13	>90	3000K	4938	4444
Regular	1200mm	29W	0.65	>80	6500K	3190	2871
Regular	1800mm	45W	1	>80	6500K	4950	4455
Regular	2400mm	58W	13	>80	6500K	6380	5742
Regular	1200mm	29W	0.65	>90	6500K	2743	2469
Regular	1800mm	45W	1	>90	6500K	4257	3831
Regular	2400mm	58W	13	>90	6500K	5486	4938
High-Efficiency	1200mm	22W	0.5	>80	4000K	3080	2772
High-Efficiency	1800mm	33W	0.75	>80	4000K	4620	4158
High-Efficiency	2400mm	44W	1	>80	4000K	6160	5544
High-Efficiency	1200mm	22W	0.5	>90	4000K	2833	2550
High-Efficiency	1800mm	33W	0.75	>90	4000K	4250	3825
High-Efficiency	2400mm	44W	1	>90	4000K	5667	5100
High-Efficiency	1200mm	22W	0.5	>80	2700K	2926	2633
High-Efficiency	1800mm	33W	0.75	>80	2700K	4389	3950
High-Efficiency	2400mm	44W	1	>80	2700K	5852	5266
High-Efficiency	1200mm	22W	0.5	>90	2700K	2691	2422
High-Efficiency	1800mm	33W	0.75	>90	2700K	4037	3634
High-Efficiency	2400mm	44W	1	>90	2700K	5383	4845
High-Efficiency	1200mm	22W	0.5	>80	3000K	3080	2772
High-Efficiency	1800mm	33W	0.75	>80	3000K	4620	4158
High-Efficiency	2400mm	44W	1	>80	3000K	6160	5544
High-Efficiency	1200mm	22W	0.5	>90	3000K	2833	2550
High-Efficiency	1800mm	33W	0.75	>90	3000K	4250	3825
High-Efficiency	2400mm	44W	1	>90	3000K	5667	5100
High-Efficiency	1200mm	22W	0.5	>80	6500K	3080	2772
High-Efficiency	1800mm	33W	0.75	>80	6500K	4620	4158
High-Efficiency	2400mm	44W	1	>80	6500K	6160	5544
High-Efficiency	1200mm	22W	0.5	>90	6500K	2833	2550
High-Efficiency	1800mm	33W	0.75	>90	6500K	4250	3825
High-Efficiency	2400mm	44W	1	>90	6500K	5667	5100
High efficiency-3 CCT Dial Switch	1200mm	22W	0.5	>80	3000K-4200K-6500K	2750/2860/2860	2475/2574/2574
High efficiency-3 CCT Dial Switch	1800mm	33W	0.75	>80	3000K-4200K-6500K	4125/4290/4290	3712/3861/3861
High efficiency-3 CCT Dial Switch	2400mm	44W	1	>80	3000K-4200K-6500K	5500/5720/5720	4950/5148/5148
High efficiency-3 CCT Dial Switch	1200mm	22W	0.5	>90	3000K-4200K-6500K	2530/2631/2631	2277/2368/2368
High efficiency-3 CCT Dial Switch	1800mm	33W	0.75	>90	3000K-4200K-6500K	3795/3946/3946	3415/3552/3552
High efficiency-3 CCT Dial Switch	2400mm	44W	1	>90	3000K-4200K-6500K	5060/5262/5262	4554/4736/4736

1. The output data is based on the testing result of Ra80,4000k,white luminaires;
2. The tolerance of output data can be vary up to 10%;
3. The output data is typical value;

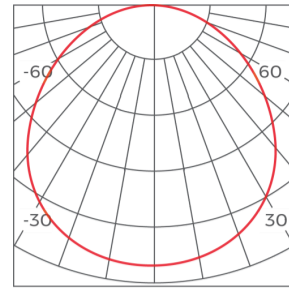
## Light Distribution

### Normal-100°



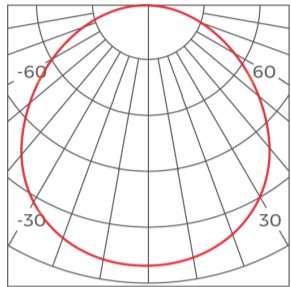
h(m)	D(cm)	E(lx)
1	228	1285
2	457	321
3	685	143
4	913	80

### High efficiency-100°



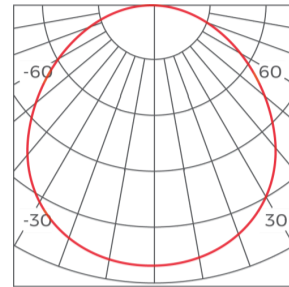
h(m)	D(cm)	E(lx)
1	229	1396
2	459	349
3	688	155
4	918	87

### Normal-3CCT Dial Switch-100°



h(m)	D(cm)	E(lx)
1	226	1139
2	451	285
3	677	127
4	902	71

### High efficiency-3CCT Dial Switch-100°



h(m)	D(cm)	E(lx)
1	226	1344
2	451	336
3	677	149
4	902	71

\*The above data is based on a white coated, 1200mm length lamp with Ra80,4000K.

### Packing

Size (mm/box)	Quantity /box	QTY/CTN	NW (kg/box)	N. WT (ctn)	G.WT (ctn)	Size (cm/carton)	Product Size (mm)
L1218*W75*H71	1	6	1.15	6.9	8.22	123*21.9*15.4	1214*63*67mm
L1815*W75*H71	1	6	1.725	10.35	12.36	183*21.9*15.4	1811*63*67mm
L2407*W75*H71	1	6	2.3	13.8	16.44	242*21.9*15.4	2407*63*67mm

### Attentions

1. Non-professionals are prohibited from installing, disassembling and repairing the product.
2. Avoid scratching, distortion and irregular bending of the product during installation; otherwise it may cause irreparable damage to the product.
3. Please use professional cutting tools when cutting.
4. Do not use any acid or alkaline adhesive to fix products.
5. The product is only suitable for indoor dry places, can not be used in outdoor, seaside or wet environment.
6. PC features: Each 10°C rise or drop will make diffuser extend or shrink 0.8mm/m, please confirm before processing and use.